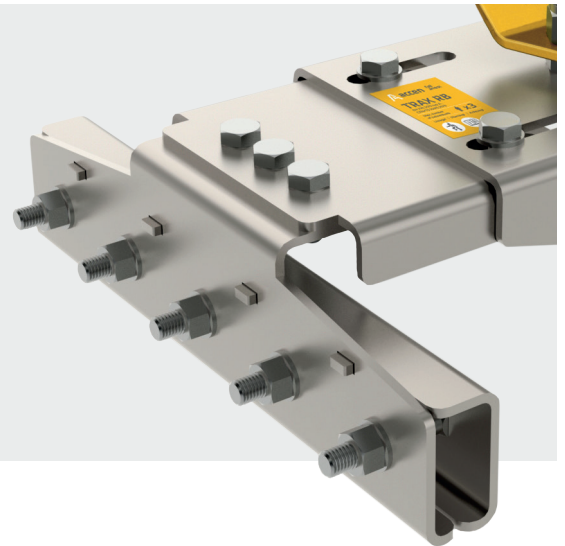
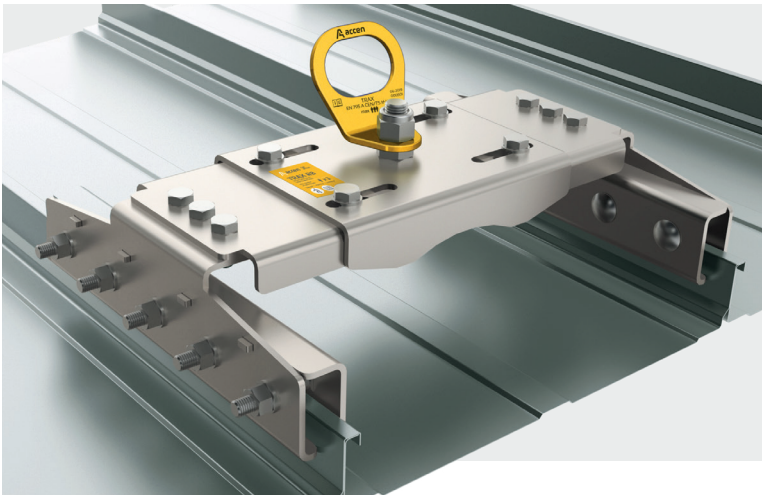


# TRAX RB

Safety point



The TRAX RB anchorage point is an anchorage device used to prevent falls from a height on roofs. It is used for installation on roofs covered with standing seamless sheet metal (e.g. Kal-Zip, Bemo, Rheinzink, Uginox, Prelaq).

The use of clamps allows for installation on profiles with a seam with a spacing of 320 to 640 mm. Approved for use on titanium-zinc, aluminium, stainless steel, coated steel and aluminium-zinc sheets. The TRAX RB is made entirely of stainless steel and is designed for use by 2 people at the same time as a single anchor point. It can also be used as a support in horizontal rope systems.

When used horizontally, it takes loads in any direction. High-quality clamps ensure that the sheet metal is firmly attached to the joints without damaging the roof sheathing and maintaining its tightness. It is equipped with an anchorage point with a swivel allowing it to rotate in all directions 360°. This prevents the formation of loops when the safety line is connected.

The TRAX RB anchorage point meets the requirements of the anchor devices standard EN795:2012, type A and C, and CEN/TS 16415:2013.

## Technical Specifications

Material	INOX
Users	2
Base	seamless sheet metal
Spacing of the seam	320-640mm
Norm	EN795:2012 A/C, CEN/TS 16415:2013
Warranty	1 year

## Mounting substrates:

sheets: titanium zinc 0.5mm, aluminium 0.7mm, stainless, copper 0.6mm, coated steel and aluminium zinc 0.5mm